

Tolleranza alla sabbia 150 g/m³ - Sand tolerance 150 g/m³

PANELLI[®]
Italian excellence since 1906



75 PRX | 3"

POMPA SOMMERSA
SUBMERSIBLE PUMP



Dimensioni ridotte
Small size



Risparmio energetico
Energy savings

VANTAGGI PER L'UTILIZZATORE

Risparmio economico sull'utilizzo dell'acqua grazie all'alto rendimento e al conseguente consumo elettrico ridotto. Grazie alla loro compattezza e leggerezza, le elettropompe 75 PRX possono essere installate con facilità in pozzi da 3" o più. I componenti idraulici, accoppiati ad un motore elettrico ad alto rendimento, rendono l'elettropompa estremamente efficiente nella categoria 3".

La loro costruzione permette il pompaggio di acqua con contenuto di sabbia fino a **150 g/m³**.

ADVANTAGES FOR THE USER

Cost savings on water use due to high efficiency and consequently low electricity consumption. Due to their compactness and light weight, the PRX electric pumps can be easily installed in wells of 3" diameter or above.

The hydraulic components, coupled with a high-efficiency electric motor, make the 3 PRX electric pump extremely efficient in the 3" category. Their construction allows the pumping of water with a sand content of up to **150 g/m³**.

**CAMPO DELLE PRESTAZIONI**

- Portata fino a **120 l/min** (7.2 m³/h)
- Prevalenza fino a **267 m**

PERFORMANCE RANGE

- Flow rate up to **120 l/min** (7.2 m³/h)
- Head up to **267 m**

UTILIZZI E INSTALLAZIONI

Elettropompe sommerse da 3" indicate per il pompaggio di acqua pulita per molteplici applicazioni quali approvvigionamento domestico, irrigazione, impianti idrici per piccole comunità.

USES AND INSTALLATIONS

3" submersible electric pumps suitable for pumping clean water for multiple applications such as domestic supply, irrigation, small community water systems.

MOTORE ELETTRICO

- Motori sommersi in bagno d'olio **riavvolgibili** (olio atossico per uso alimentare) a 2 poli, 50 Hz
- TENSIONE:
 - monofase 230 V
 - trifase 400 V
- Servizio continuo **S1**
- Isolamento: classe F
- Protezione: IP 68
- Albero e camicia: acciaio inox **AISI 304**
- Dimensioni di accoppiamento flangia secondo standard NEMA
- Connettore con cavo di alimentazione da:
 - **1.5 m** per potenze fino a 0.75 kW
 - **2.0 m** per potenze da 1.1 kW

ELECTRIC MOTOR

- **Rewindable** submersible motors in oil bath (food-safe oil) 2 poles, 50 Hz
- VOLTAGE:
 - 230 V Single-phase
 - 400 V Three-phase
- Continuous service **S1**
- Insulation: class F
- Protection: IP 68
- Shaft and sleeve: **AISI 304**
- Flange coupling dimensions to NEMA standard
- Connector with power cable from:
 - **1.5 m** for powers up to 0.75 kW
 - **2.0 m** for powers from 1.1 kW

LIMITI D'IMPIEGO

- Temperatura del liquido fino a **+35 °C**
- Contenuto di sabbia massimo **150 g/m³**
- Profondità d'impiego fino a **100 m** sotto il livello dell'acqua (con cavo di alimentazione di lunghezza adeguata)
- Funzionamento in verticale
- Avviamenti/ora: **20** ad intervalli regolari
- Flusso di raffreddamento motore minimo **8 cm/s**

LIMIT OF USE

- Liquid temperature up to **+35 °C**
- Sand tolerance **150 g/m³**
- Immersion depth up to **100 m** below water level (with appropriately long power cable)
- Vertical operation
- Starts/hour: **20** at regular intervals
- Minimum motor cooling flow **8 cm/s**

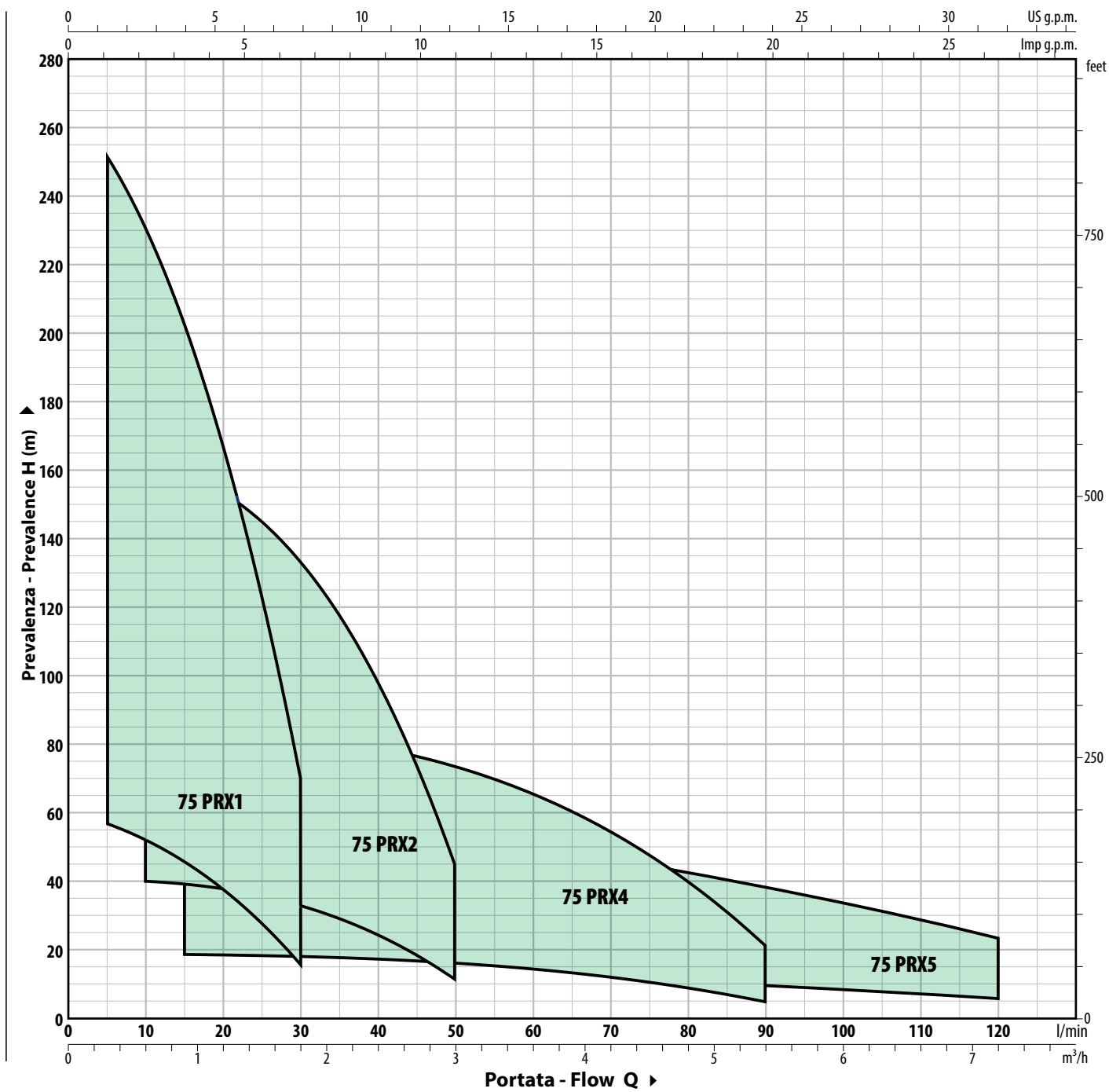
ESECUZIONI A RICHIESTA

- Cavo di alimentazione da **10, 20, 30 o 40 metri**
- Altre tensioni o frequenza a 60 Hz

POSSIBLE ON DEMAND

- **10, 20, 30 or 40 m** power cable
- Other voltages or 60 Hz frequency

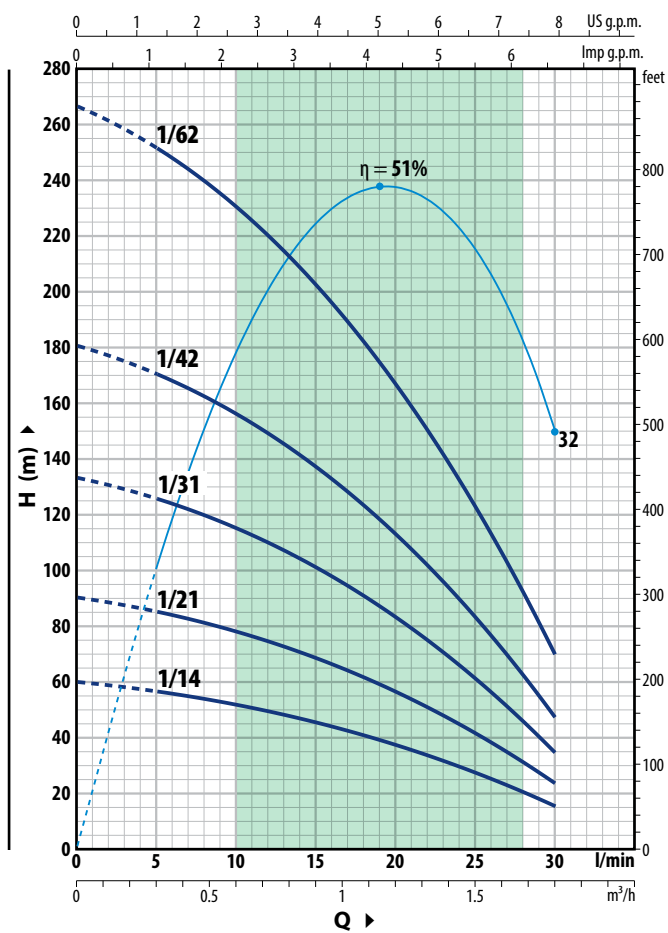
CARATTERISTICHE IDRAULICHE - HYDRAULIC PERFORMANCES Q= Portata - Capacity - Debit **50 Hz n= 2900 min**



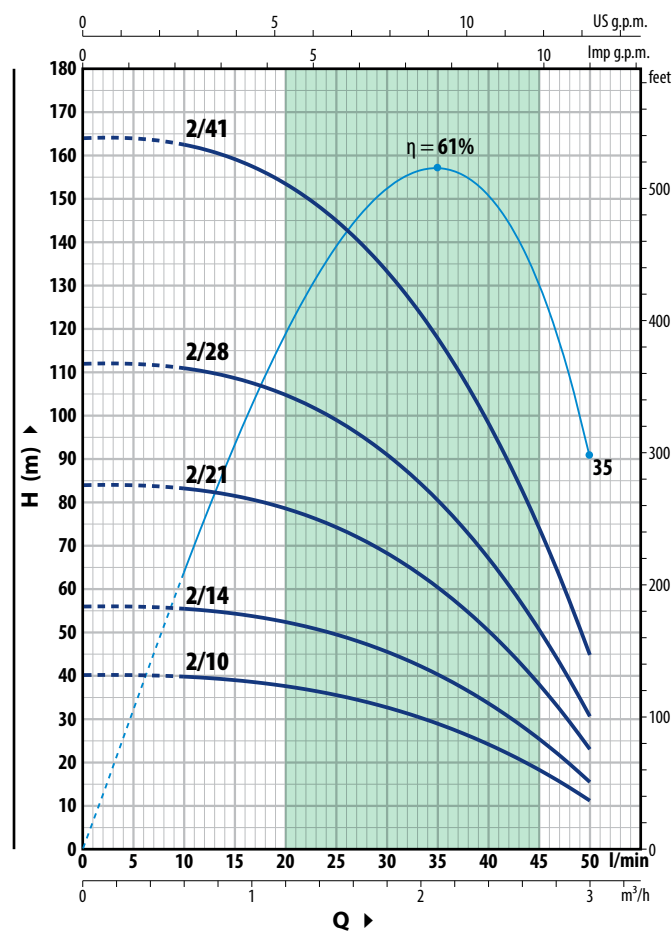
CARATTERISTICHE IDRAULICHE - HYDRAULIC PERFORMANCES

50 Hz n= 2900 min

75 PRX1



75 PRX2



75 PRX1

TIPO - TYPE		POWER (P ₂)		Q	Flow Rate						
Single-phase	Three-phase	kW	HP		m ³ /h	0	0.3	0.6	0.9	1.2	1.5
75 PRXm 1/14	75 PRX 1/14	0.25	0.33	H (m)	0	5	10	15	20	25	30
75 PRXm 1/21	75 PRX 1/21	0.37	0.50		60	57	52	45.5	37.5	28	16
75 PRXm 1/31	75 PRX 1/31	0.55	0.75		90	85	78	68.5	56.5	41.5	24
75 PRXm 1/42	75 PRX 1/42	0.75	1		133	126	115	101	83	61.5	35
75 PRXm 1/62	75 PRX 1/62	1.1	1.5		181	170	156	137	113	83	47.5
					267	252	230	203	167	123	70

75 PRX2

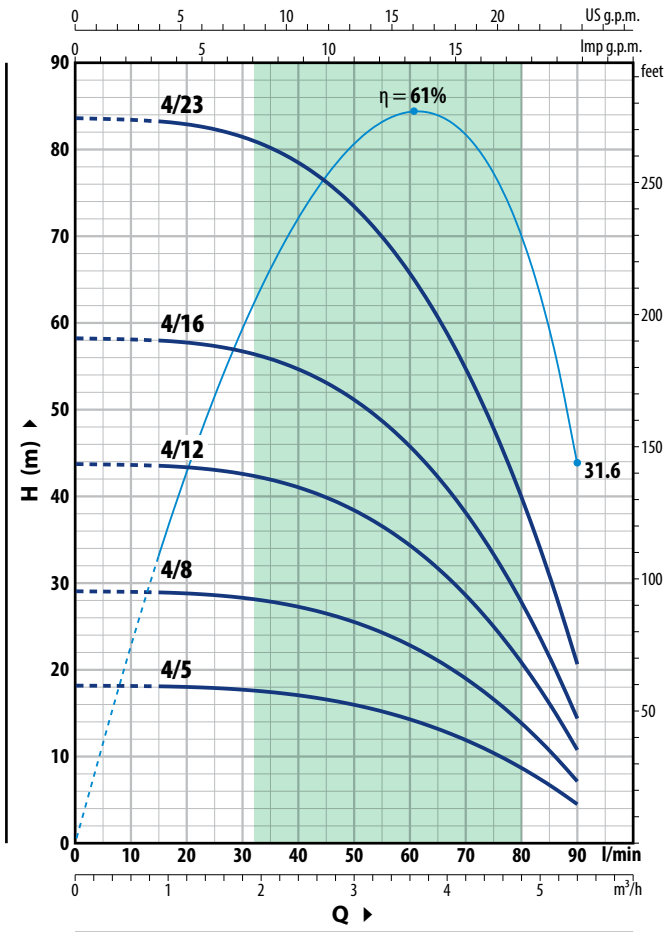
TIPO - TYPE		POWER (P ₂)		Q	Flow Rate								
Single-phase	Three-phase	kW	HP		m ³ /h	0	0.6	0.9	1.2	1.5	1.8	2.1	2.4
75 PRXm 2/10	75 PRX 2/10	0.25	0.33	H (m)	0	10	15	20	25	30	35	40	50
75 PRXm 2/14	75 PRX 2/14	0.37	0.50		40	39.5	39	37.5	35.5	32.5	28.5	23.9	11
75 PRXm 2/21	75 PRX 2/21	0.55	0.75		56	55.5	54.5	52.5	49.5	45.5	40	33.5	15.5
75 PRXm 2/28	75 PRX 2/28	0.75	1		84	83	81	79	74	68	60.5	50.5	23
75 PRXm 2/41	75 PRX 2/41	1.1	1.5		112	111	109	105	99	91	80	67	30.5
					164	162	159	153	145	133	118	98	45

Tolleranza delle curve di prestazione secondo EN ISO 9906 Grado 3B.

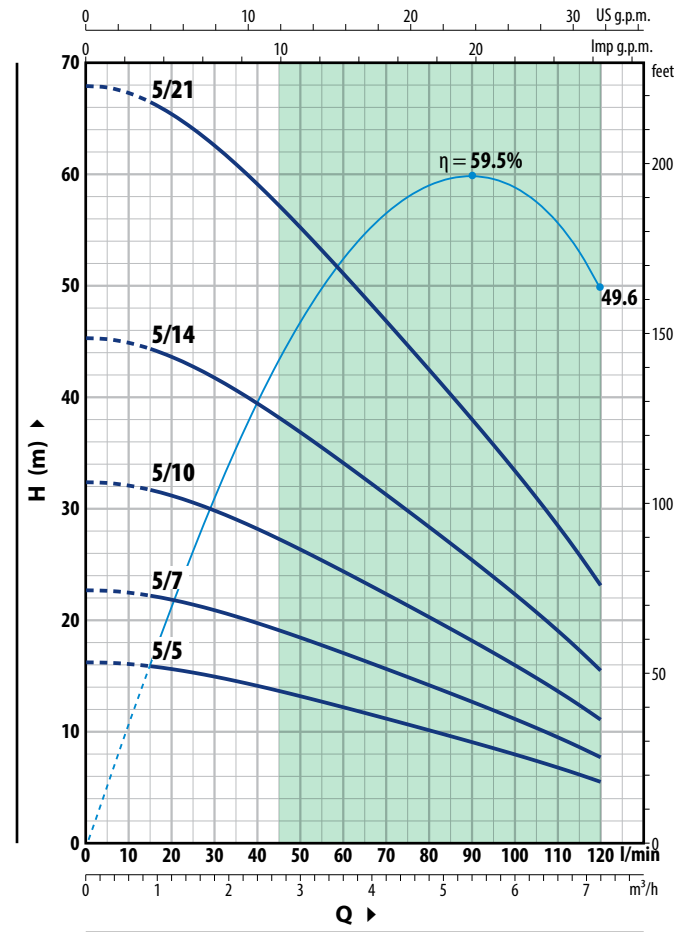
CARATTERISTICHE IDRAULICHE - HYDRAULIC PERFORMANCES

50 Hz n = 2900 min

75 PRX4



75 PRX5



75 PRX4

TIPO - TYPE		POWER (P ₂)		Q	Flow Rate (m ³ /h)									
Single-phase	Three-phase	kW	HP		0	0.9	1.2	1.8	2.4	3	3.6	4.2	4.8	5.4
75 PRXm 4/5	75 PRX 4/5	0.25	0.33	H (m)	0	15	20	30	40	50	60	70	80	90
75 PRXm 4/8	75 PRX 4/8	0.37	0.50		18	18	18	17.8	17.1	16	14.3	11.9	8.7	4.5
75 PRXm 4/12	75 PRX 4/12	0.55	0.75		29	29	29	28.5	27.5	25.6	22.9	19.1	13.9	7
75 PRXm 4/16	75 PRX 4/16	0.75	1		43.5	43.5	43.5	42.5	41	38.5	34.5	28.5	20.9	11
75 PRXm 4/23	75 PRX 4/23	1.1	1.5		58.5	58	58	57	54.5	51	46	38	28	14.5
					84	83	83	82	79	74	66	55	40	20.5

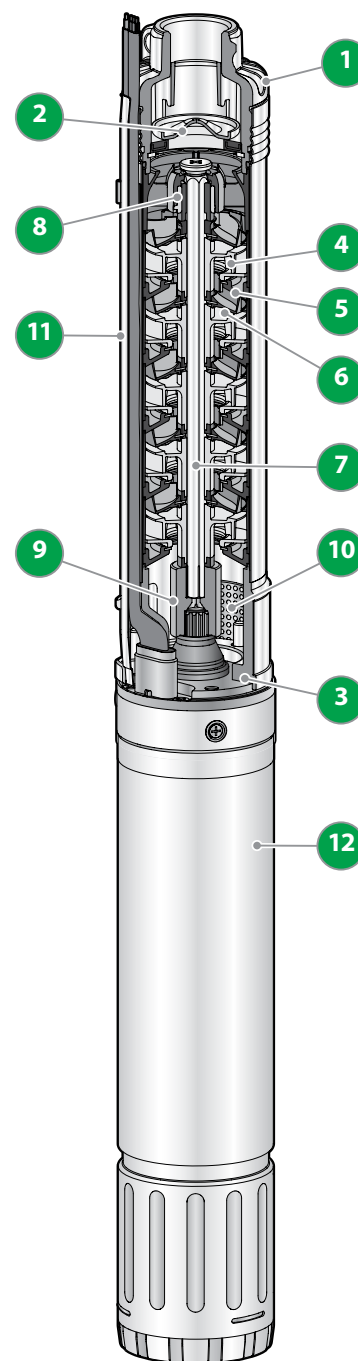
75 PRX5

TIPO - TYPE		POWER (P ₂)		Q	Flow Rate (m ³ /h)									
Single-phase	Three-phase	kW	HP		0	0.9	1.8	2.4	3	3.6	4.2	4.8	6	7.2
75 PRXm 5/5	75 PRX 5/5	0.25	0.33	H (m)	0	15	30	40	50	60	70	80	100	120
75 PRXm 5/7	75 PRX 5/7	0.37	0.5		16	16	14.9	14.1	13.1	12.2	11.1	10.1	7.9	5.5
75 PRXm 5/10	75 PRX 5/10	0.55	0.75		22.5	22	20.8	19.7	18.4	17	15.6	14.1	11.1	7.5
75 PRXm 5/14	75 PRX 5/14	0.75	1		32.5	31.5	30	28	26.3	24.3	22.3	20.2	15.9	11
75 PRXm 5/21	75 PRX 5/21	1.1	1.5		45	44.5	41.5	39.5	37	34	31	28.5	22.2	15.5
					68	66.5	62.5	59	55	51	47	42.5	33.5	23

Tolleranza delle curve di prestazione secondo EN ISO 9906 Grado 3B.

CARATTERISTICHE COSTRUTTIVE - CONSTRUCTION FEATURES

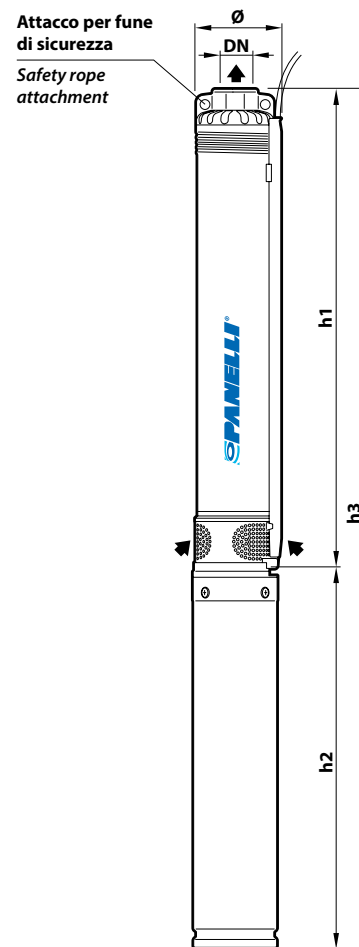
1	Corpo di mandata <i>Delivery body</i>	Acciaio inox microfuso AISI 304 con filettatura secondo ISO 228/1 <i>Micro-cast AISI 304 stainless steel with thread according to ISO 228/1</i>
2	Valvola ritegno <i>Non-return valve</i>	AISI 304
3	Lanterna <i>Lantern</i>	Acciaio inox microfuso AISI 304 , conformità norme NEMA <i>Stainless steel cast AISI 304, compliance with NEMA standards.</i>
4	Giranti <i>Impellers</i>	Delrin® for 75 PRX 1-2-4 Noryl™ for 75 PRX 5
5	Diffusori <i>Diffusers</i>	Noryl™ - AISI 304
6	Coperchio diffusor <i>Diffuser cover</i>	Noryl™ - AISI 304 for 75 PRX 1-2-4 Noryl™ for 75 PRX 5
7	Albero pompa <i>Pump shaft</i>	AISI 304
8	Cuscinetti pompa <i>Pump bearings</i>	In acciaio inox AISI 316L rivestiti di ossido di cromo, per una maggior durata anche in presenza di sabbia. <i>In AISI 316L stainless steel coated with chromium oxide, for greater durability even in the presence of sand</i>
9	Giunto di traino <i>Towing coupling</i>	AISI 316L
10	Filtro <i>Filter</i>	AISI 304
11	Copricavo <i>Cable cover</i>	AISI 304
12	Motore 3" <i>3" motor</i>	Motore sommerso in bagno d'olio riavvolgibile <i>Oil filled rewindable submersible motor</i>



DIMENSIONI E PESI - DIMENSIONS AND WEIGHTS

TIPO - TYPE	PORT	DIM mm				kg
		Ø	h1	h2	h3	
Single-phase	DN					1~
75 PRXm 1/14	1"	76	415	388	803	9.9
75 PRXm 1/21			547	388	935	10.4
75 PRXm 1/31			736	408	1144	12.0
75 PRXm 1/42			973	448	1421	14.2
75 PRXm 1/62	1"	76	1380	488	1868	17.6
75 PRXm 2/10			377	388	765	9.6
75 PRXm 2/14			467	388	855	9.9
75 PRXm 2/21			625	408	1033	11.2
75 PRXm 2/28	1"	76	813	448	1261	13.1
75 PRXm 2/41			1136	488	1624	15.8
75 PRXm 4/5			311	388	699	9.2
75 PRXm 4/8			407	388	795	9.4
75 PRXm 4/12	1"	76	534	408	942	10.5
75 PRXm 4/16			662	448	1110	12.2
75 PRXm 4/23			915	488	1403	14.5
75 PRXm 5/5			400	388	788	9.4
75 PRXm 5/7	1"	76	500	388	888	9.8
75 PRXm 5/10			652	408	1060	11.0
75 PRXm 5/14			853	448	1301	13.2
75 PRXm 5/21			1206	488	1694	16.2

Three-phase	DN	Ø	DIM mm			3~
			h1	h2	h3	
75 PRX 1/14	1"	76	415	368	783	9.0
75 PRX 1/21			547	368	915	9.5
75 PRX 1/31			736	388	1124	11.3
75 PRX 1/42			973	408	1381	13.3
75 PRX 1/62	1"	76	1380	448	1828	16.7
75 PRX 2/10			377	368	745	8.7
75 PRX 2/14			467	368	835	9.0
75 PRX 2/21			625	388	1013	10.6
75 PRX 2/28	1"	76	813	408	1221	12.2
75 PRX 2/41			1136	448	1584	15.0
75 PRX 4/5			311	368	679	8.3
75 PRX 4/8			407	368	775	8.5
75 PRX 4/12	1"	76	534	388	922	9.8
75 PRX 4/16			662	408	1070	11.3
75 PRX 4/23			915	448	1363	13.6
75 PRX 5/5			400	368	768	8.5
75 PRX 5/7	1"	76	500	368	868	8.8
75 PRX 5/10			652	388	1040	10.4
75 PRX 5/14			853	408	1261	12.2
75 PRX 5/21			1206	448	1654	15.4



ASSORBIMENTI - ABSORPTION

Versions Single-phase - 230 V

TIPO - TYPE	POWER nom. P ₂		Axial load	Condensatore Capacitor (VL=450V)	ASSORBIMENTI ASSORPTION
	kW	HP			
230 V / 50 Hz					
75 PRXm 1/14	0.25	0.33	800	12.5	3.2 A
75 PRXm 1/21	0.37	0.50		12.5	3.4 A
75 PRXm 1/31	0.55	0.75		16	4.5 A
75 PRXm 1/42	0.75	1		20	6.0 A
75 PRXm 1/62	1.1	1.5		30	8.0 A
75 PRXm 2/10	0.25	0.33	800	12.5	3.2 A
75 PRXm 2/14	0.37	0.50		12.5	3.4 A
75 PRXm 2/21	0.55	0.75		16	4.5 A
75 PRXm 2/28	0.75	1		20	6.0 A
75 PRXm 2/41	1.1	1.5		30	8.0 A
75 PRXm 4/5	0.25	0.33	800	12.5	3.2 A
75 PRXm 4/8	0.37	0.50		12.5	3.4 A
75 PRXm 4/12	0.55	0.75		16	4.5 A
75 PRXm 4/16	0.75	1		20	6.0 A
75 PRXm 4/23	1.1	1.5		30	8.0 A
75 PRXm 5/5	0.25	0.33	800	12.5	3.2 A
75 PRXm 5/7	0.37	0.5		12.5	3.4 A
75 PRXm 5/10	0.55	0.75		16	4.5 A
75 PRXm 5/14	0.75	1		20	6.0 A
75 PRXm 5/21	1.1	1.5		30	8.0 A

Versions Three-phase - 400 V

TIPO - TYPE	POWER nom. P ₂		Axial load	ASSORBIMENTI ASSORPTION
	kW	HP		
400 V / 50 Hz				
95 PRX 1/14	0.25	0.33	800	1.4 A
95 PRX 1/21	0.37	0.50		1.5 A
95 PRX 1/31	0.55	0.75		1.9 A
95 PRX 1/42	0.75	1		2.6 A
95 PRX 1/62	1.1	1.5		3.5 A
95 PRX 2/10	0.25	0.33	800	1.4 A
95 PRX 2/14	0.37	0.50		1.5 A
95 PRX 2/21	0.55	0.75		1.9 A
95 PRX 2/28	0.75	1		2.6 A
95 PRX 2/41	1.1	1.5		3.5 A
95 PRX 4/5	0.25	0.33	800	1.4 A
95 PRX 4/8	0.37	0.50		1.5 A
95 PRX 4/12	0.55	0.75		1.9 A
95 PRX 4/16	0.75	1		2.6 A
95 PRX 4/23	1.1	1.5		3.5 A
95 PRX 5/5	0.25	0.33	800	1.4 A
95 PRX 5/7	0.37	0.5		1.5 A
95 PRX 5/10	0.55	0.75		1.9 A
95 PRX 5/14	0.75	1		2.6 A
95 PRX 5/21	1.1	1.5		3.5 A